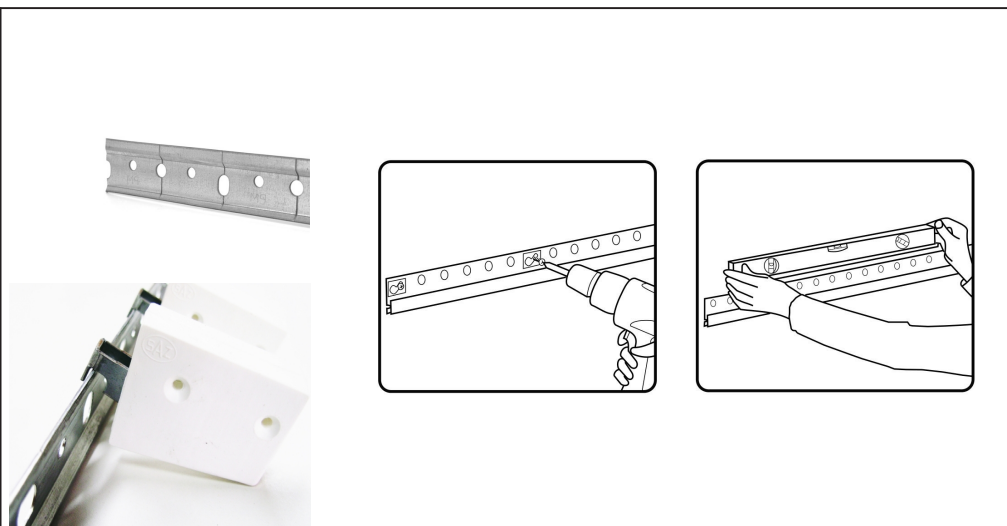


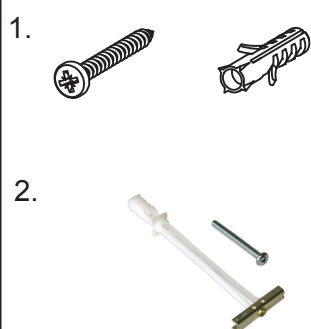
Mounting rail (incl. in set), makes it simple and safe. Just fasten the rail to the wall first, then hang the tv bench on the rail, easy and convenient. Can be cut to desired width.



**Fittings needed:**

1. Concrete screws are included in set.

2. Gips TOGGLER not included, available for 149 kr / 5 stk.



*Screws and plugs depends on the type of wall, ask a professional.*

Tools needed , min. 2 pers.

