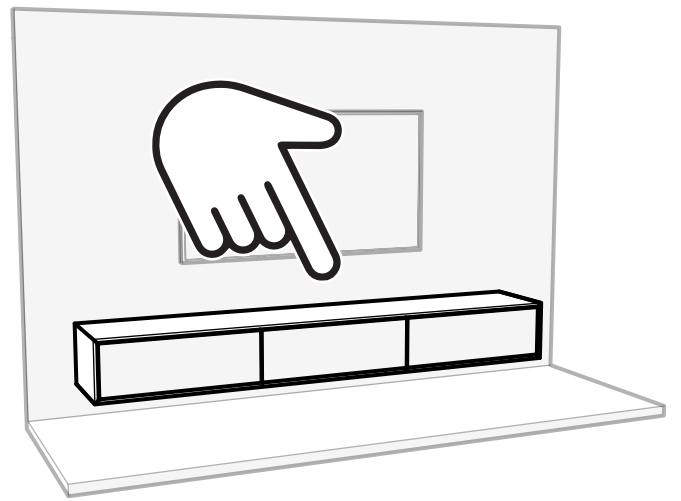
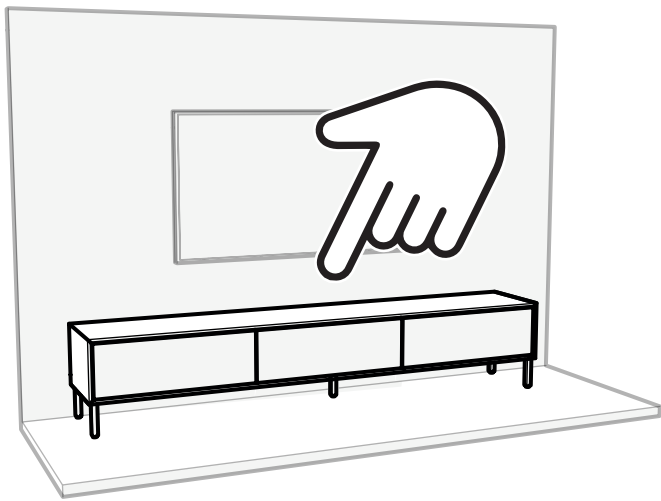
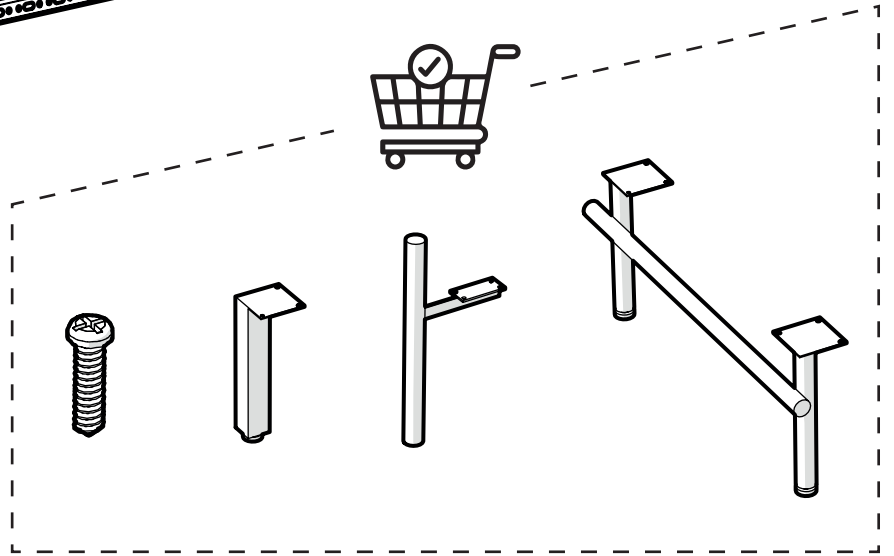
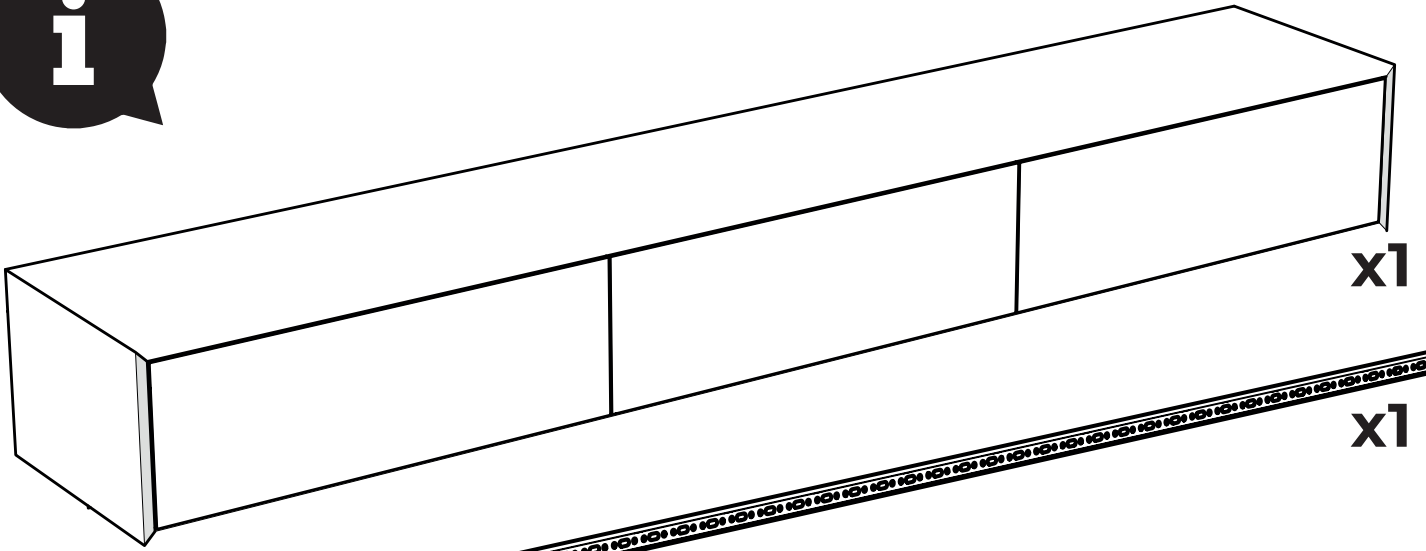


design4u



MEDIABENK MOON | PLANET

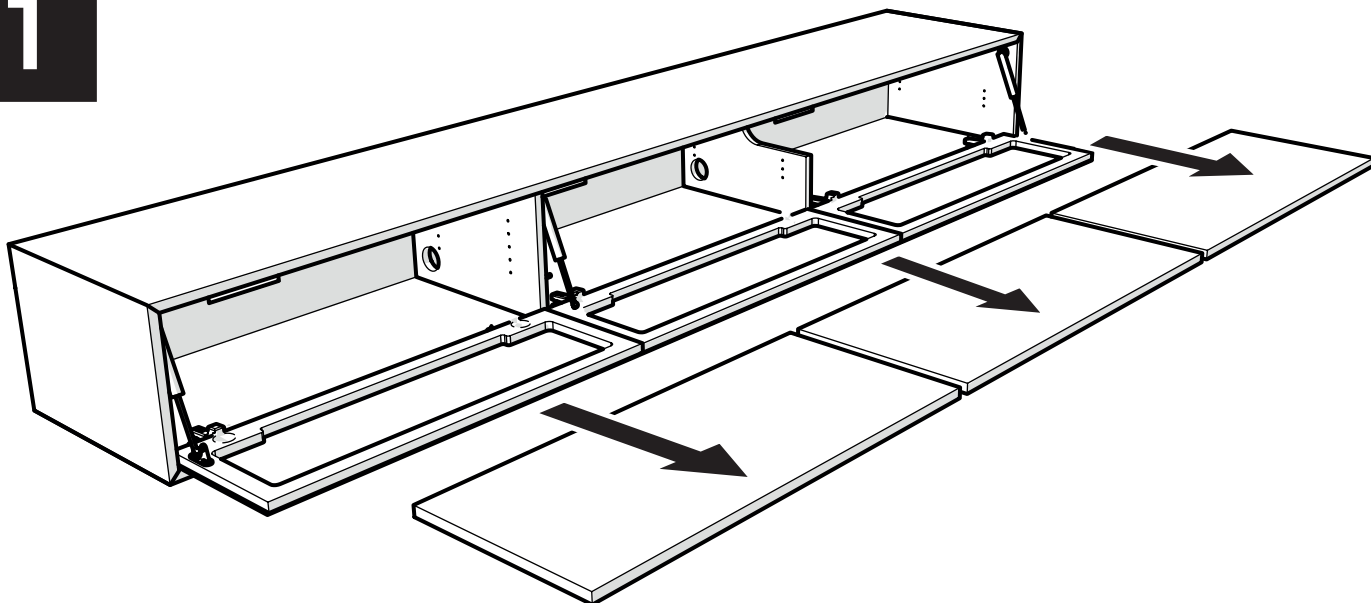


1 **5**

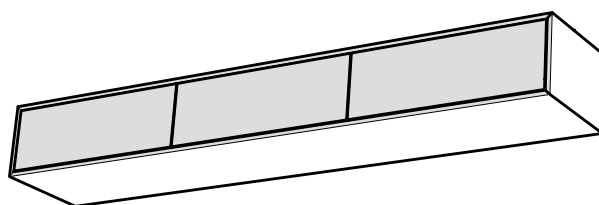
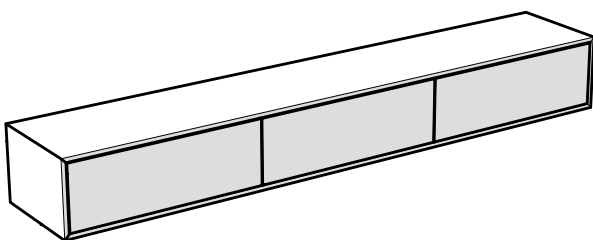


6 **17**

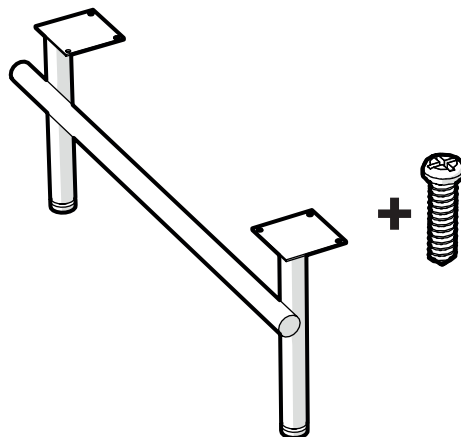
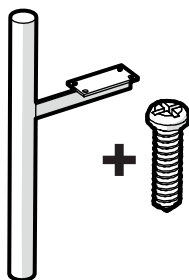
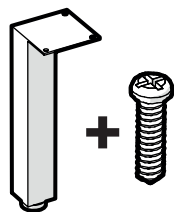
1



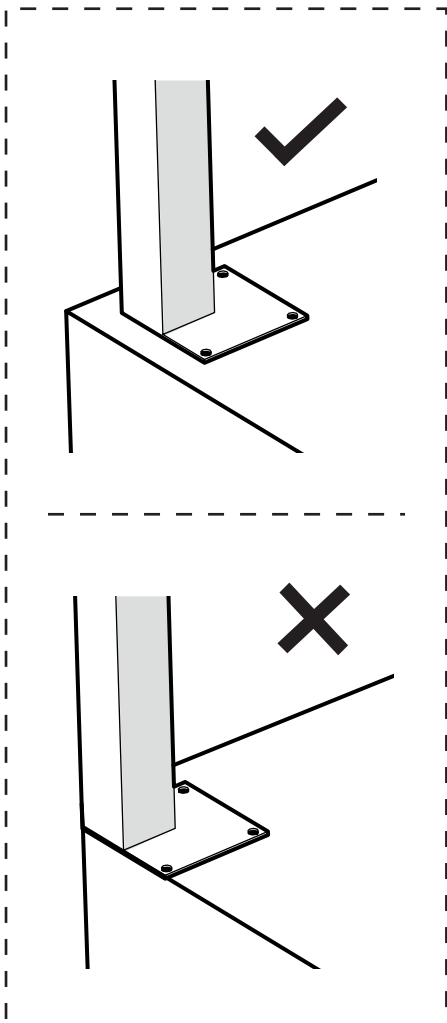
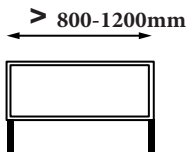
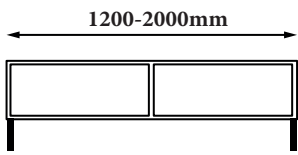
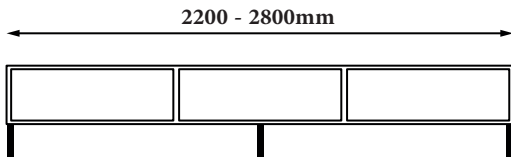
2



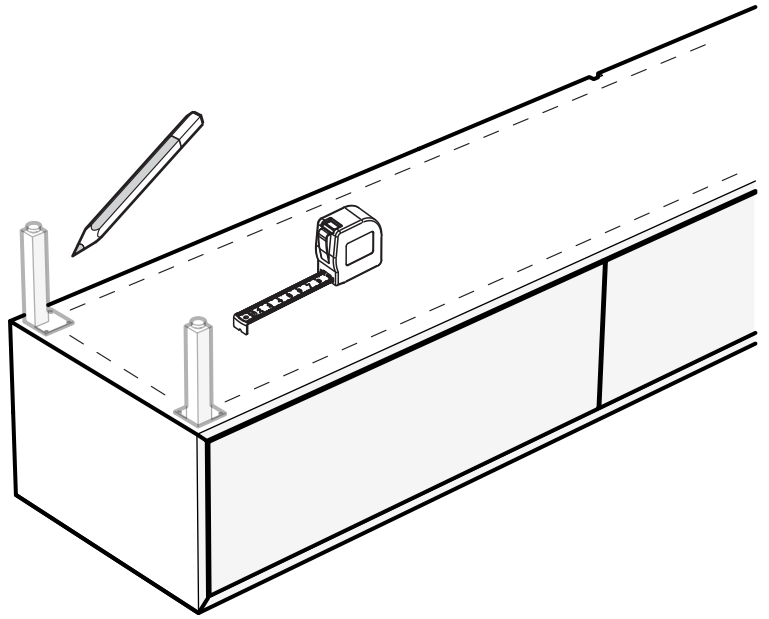
3



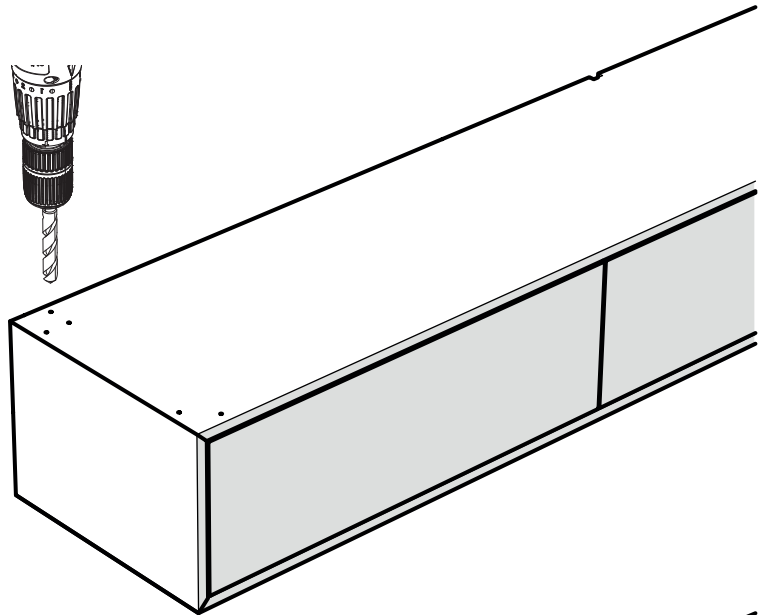
4



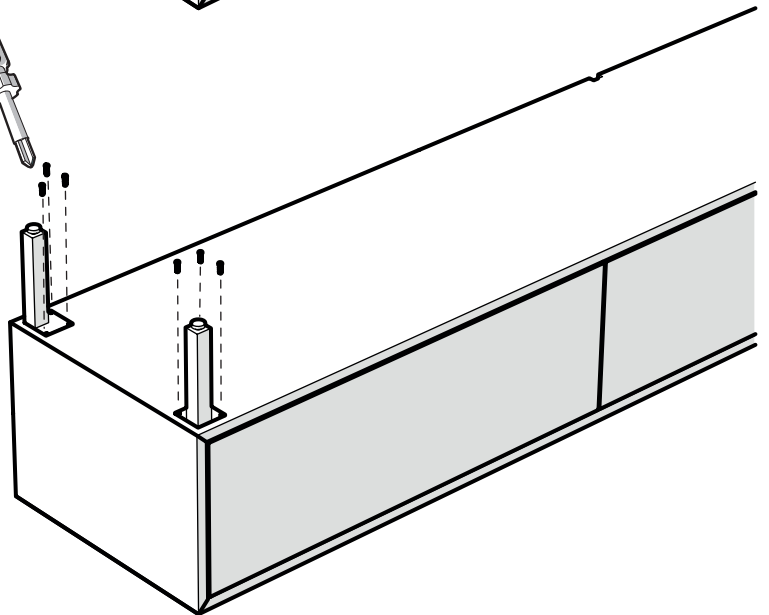
4.1



4.2

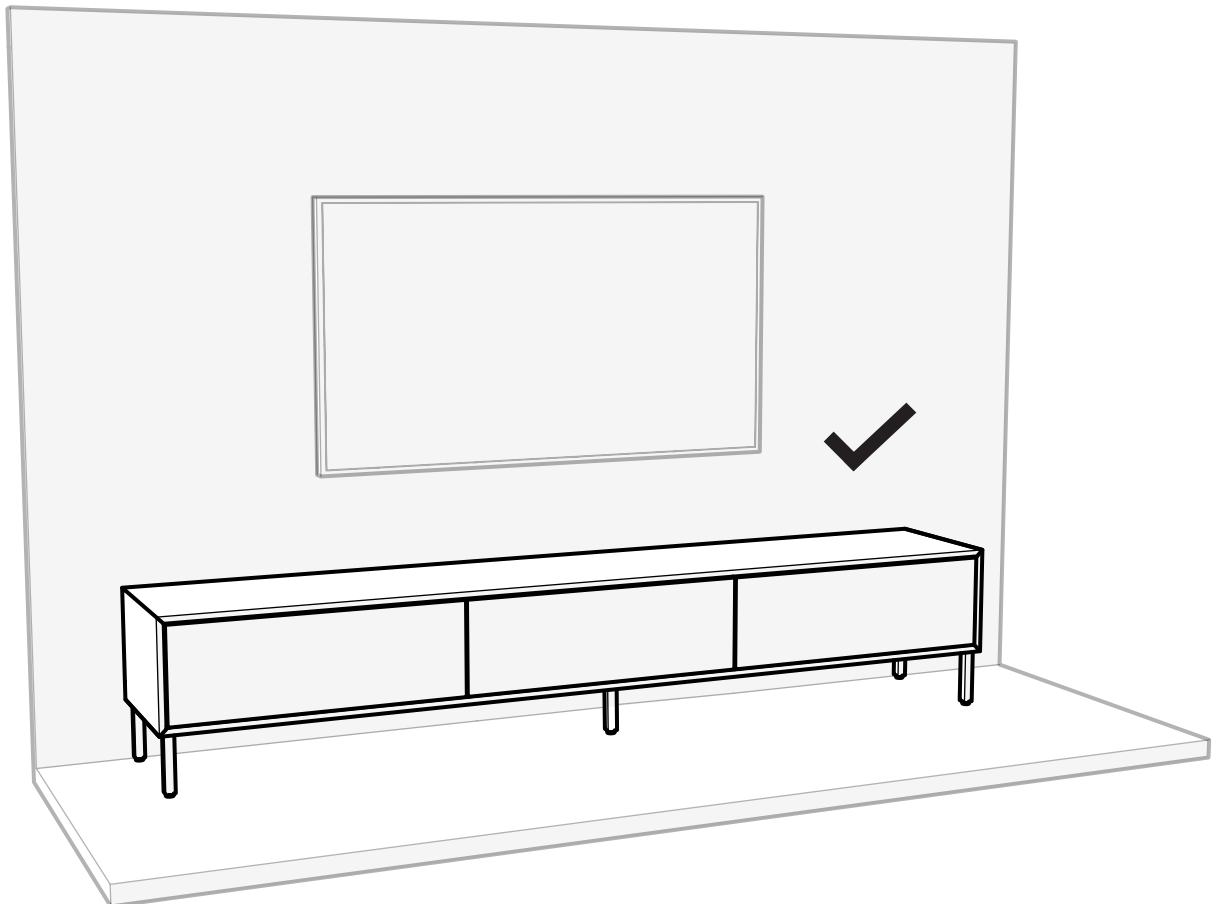
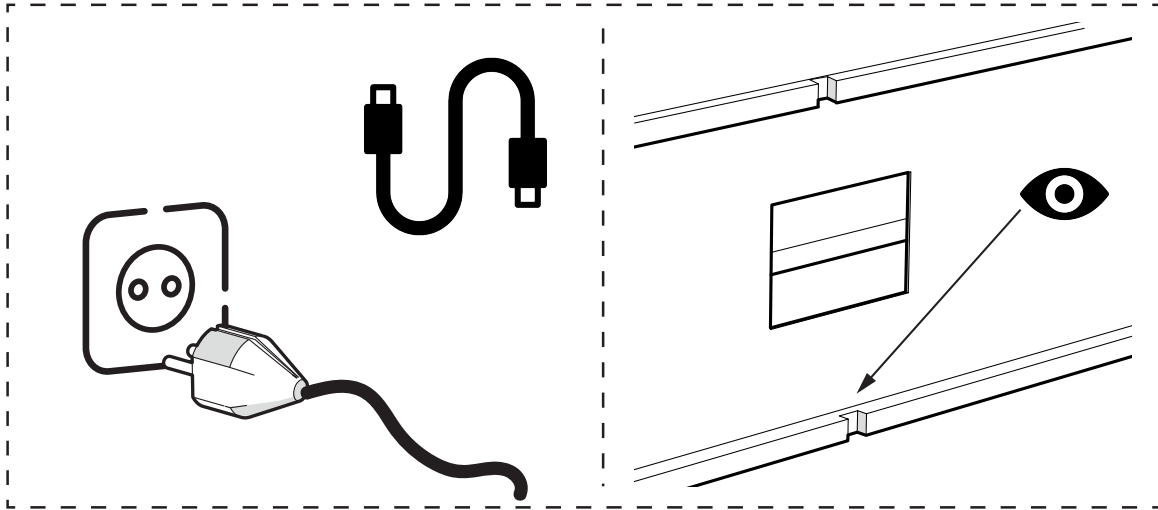
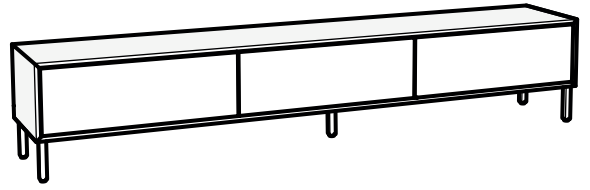
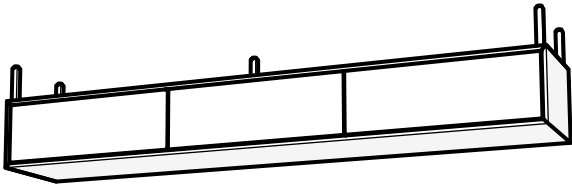


4.3

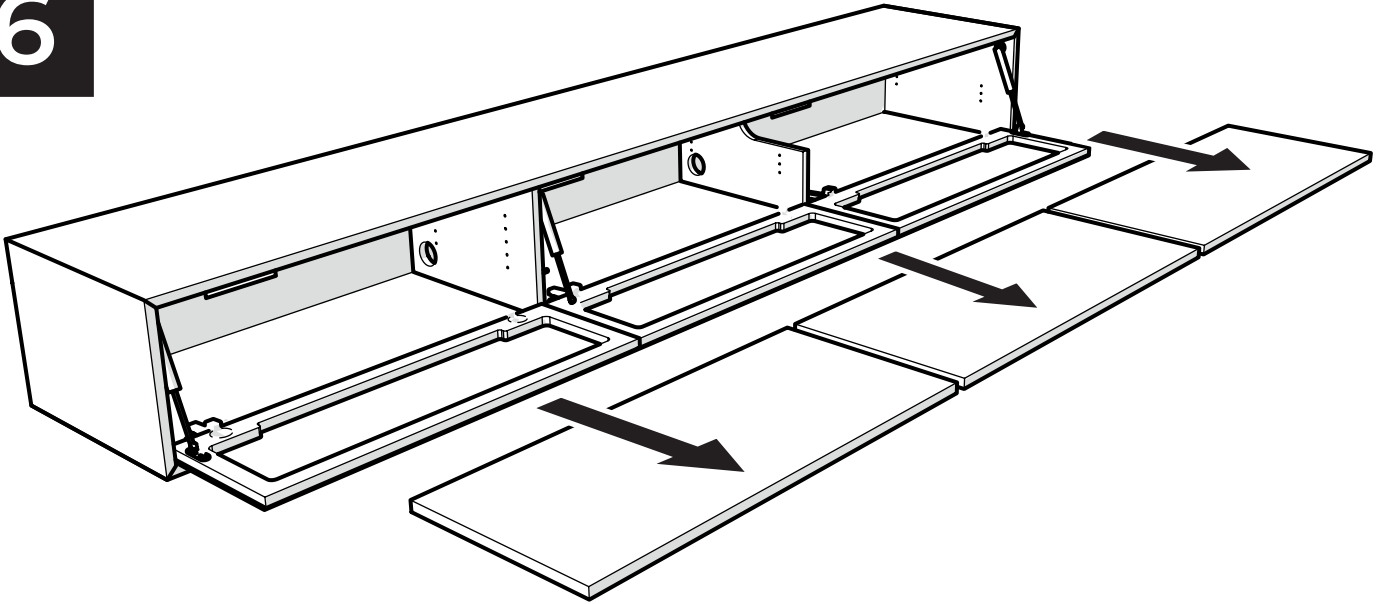


5

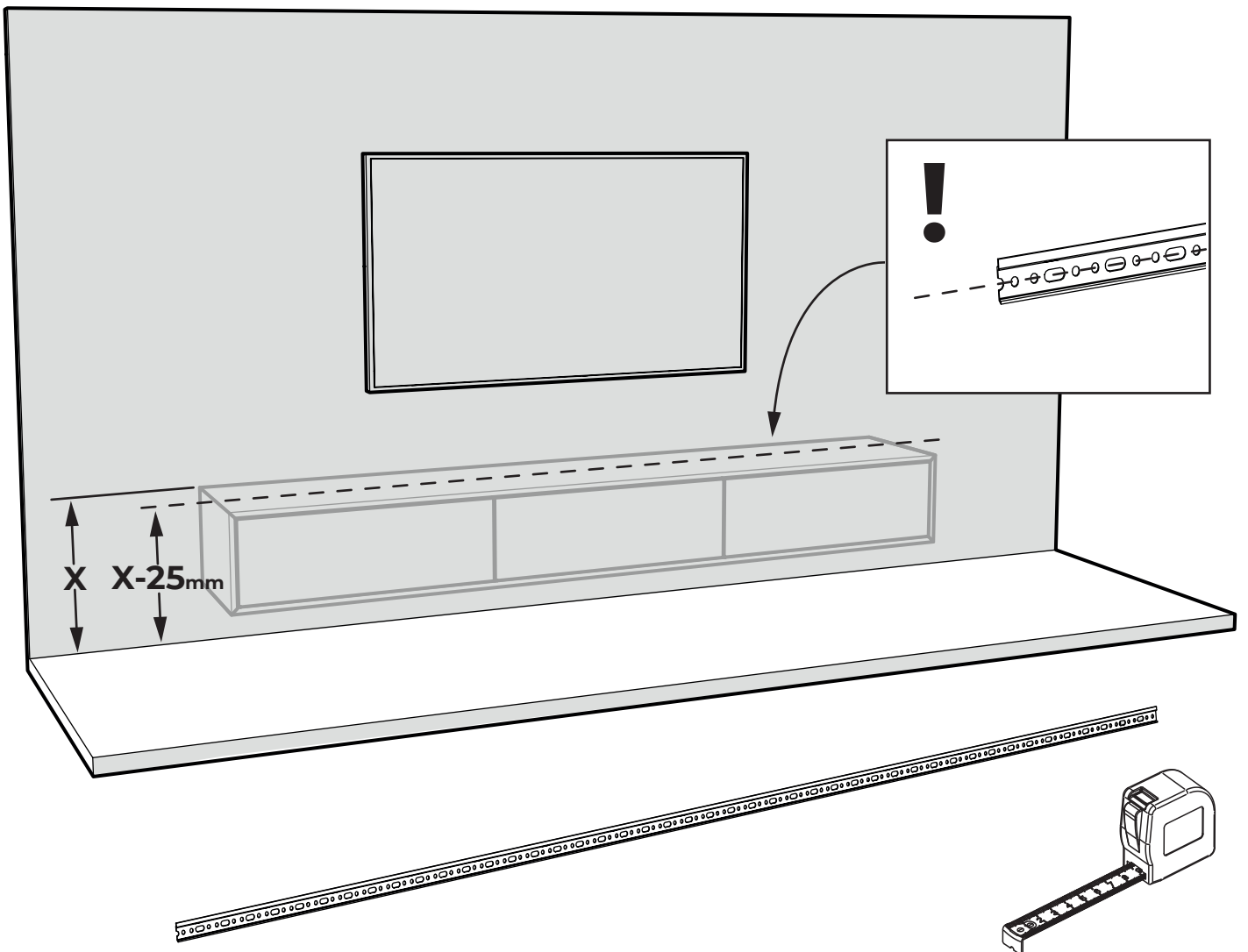
 x2



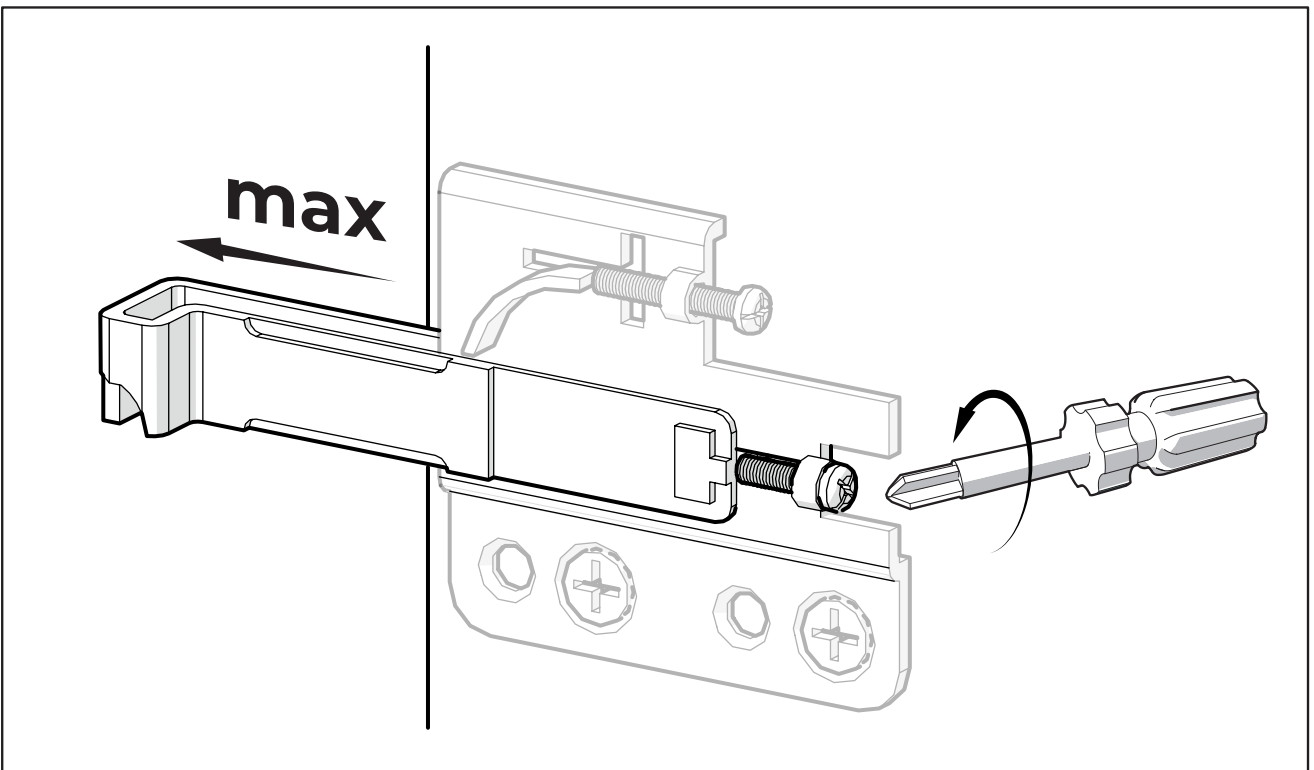
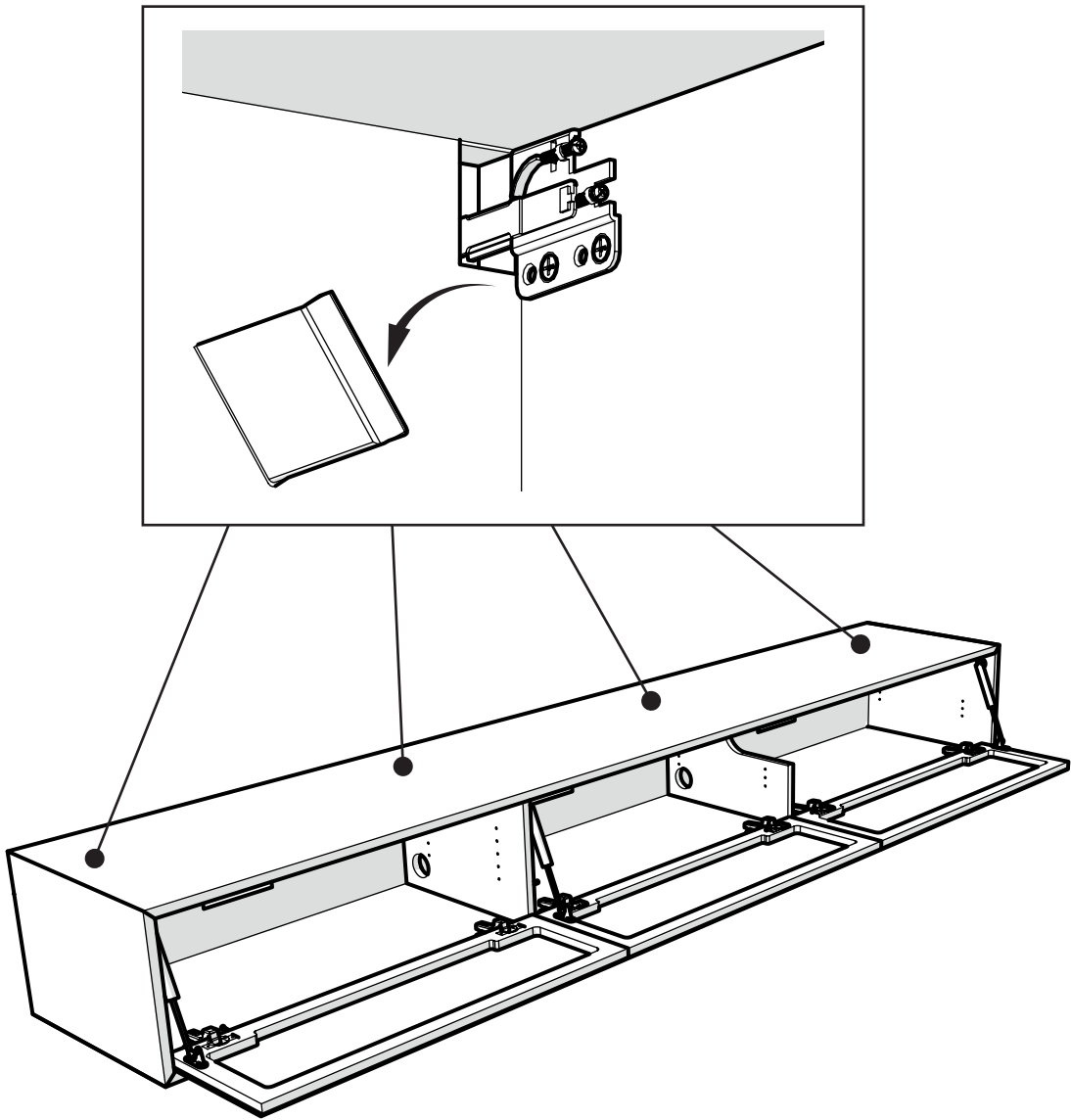
6



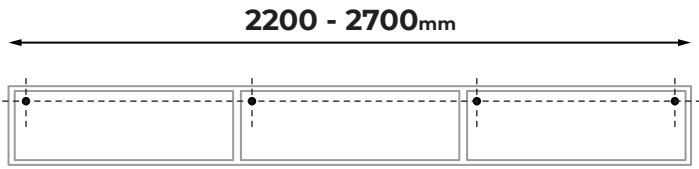
7



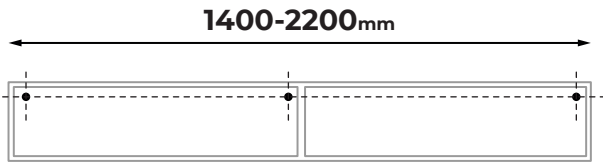
8



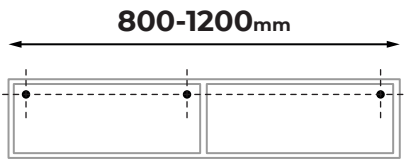
9



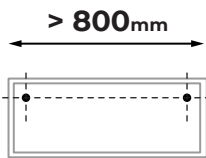
 X4



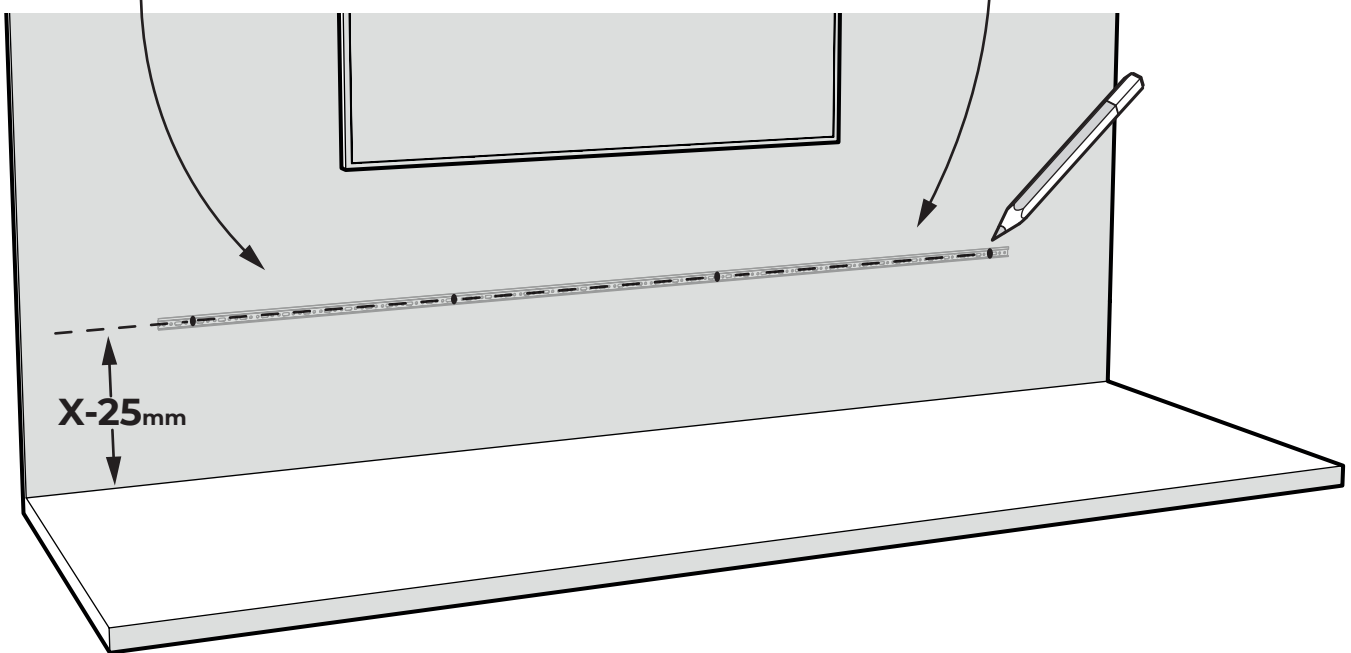
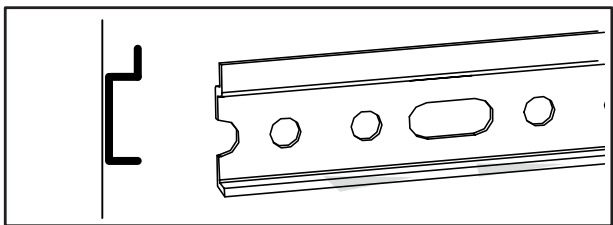
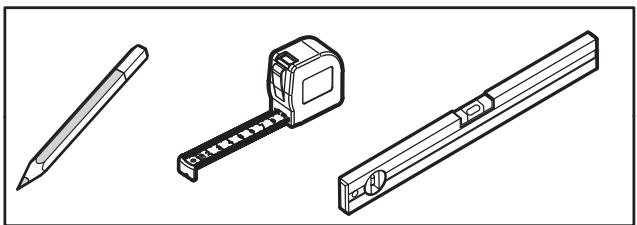
 X3

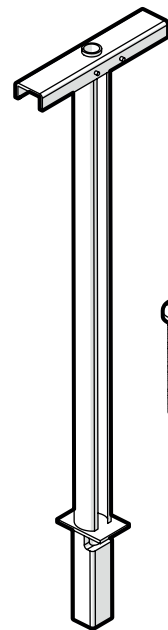
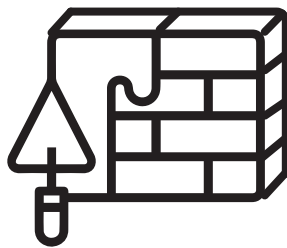
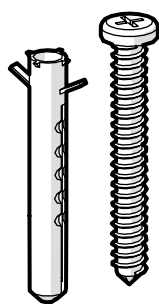


 X3



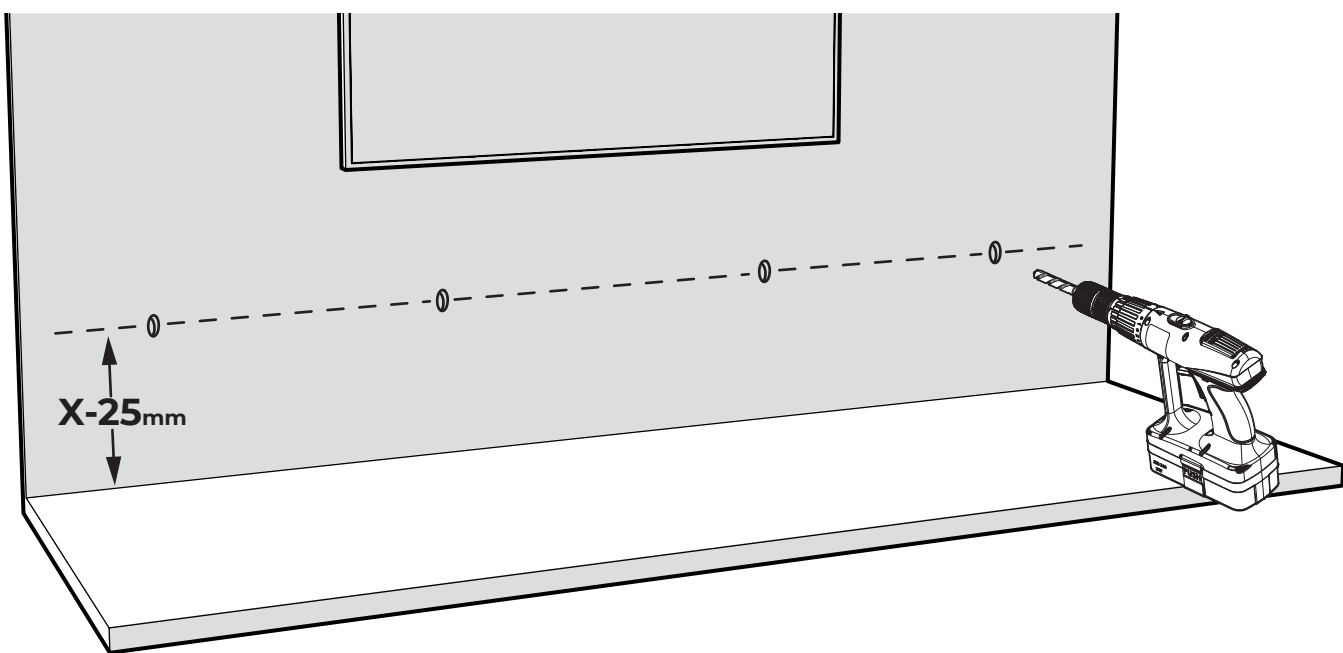
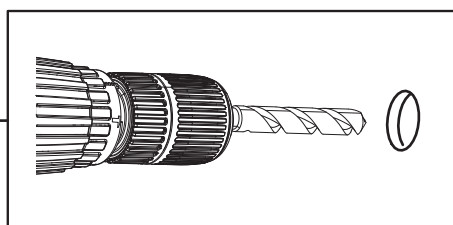
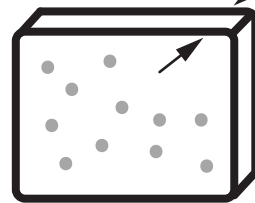
 X2



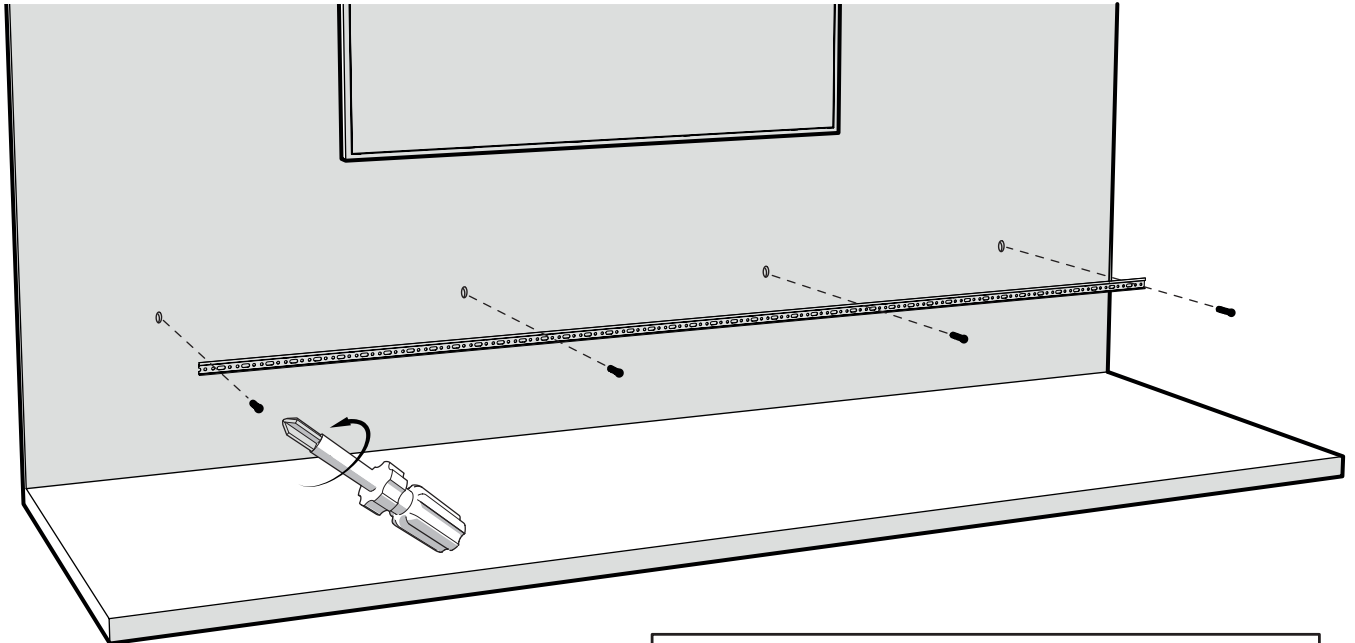
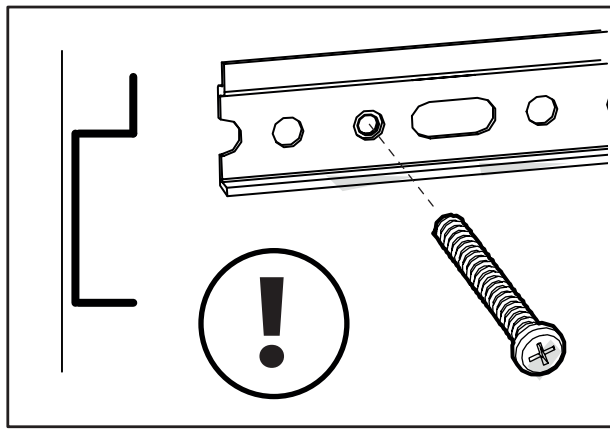


TOGGLER
HIGH-PERFORMANCE ANCHORS

min 20mm

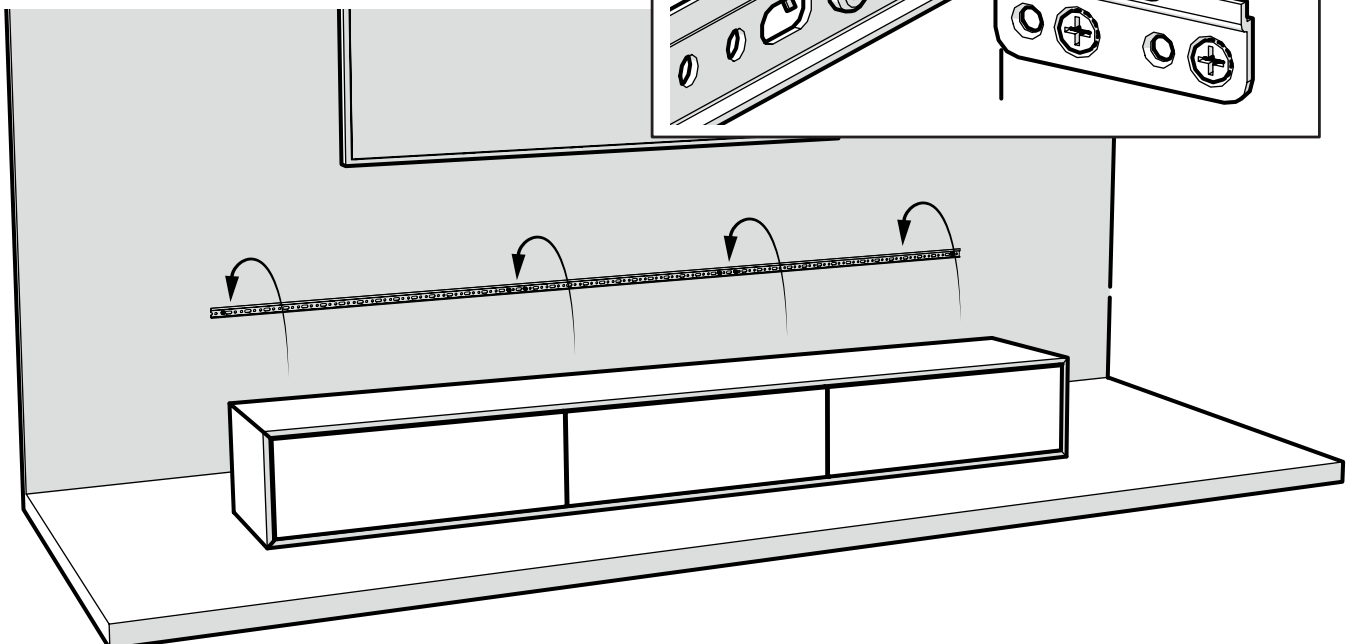
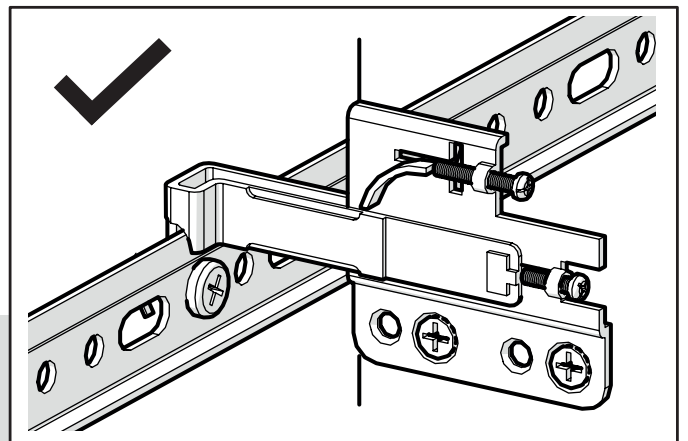


11

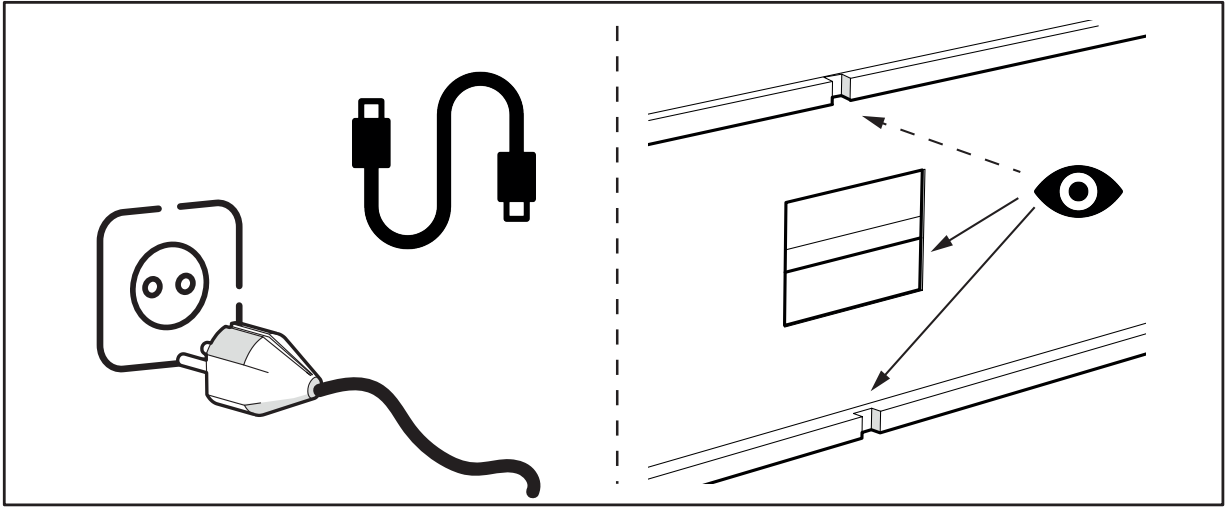


12

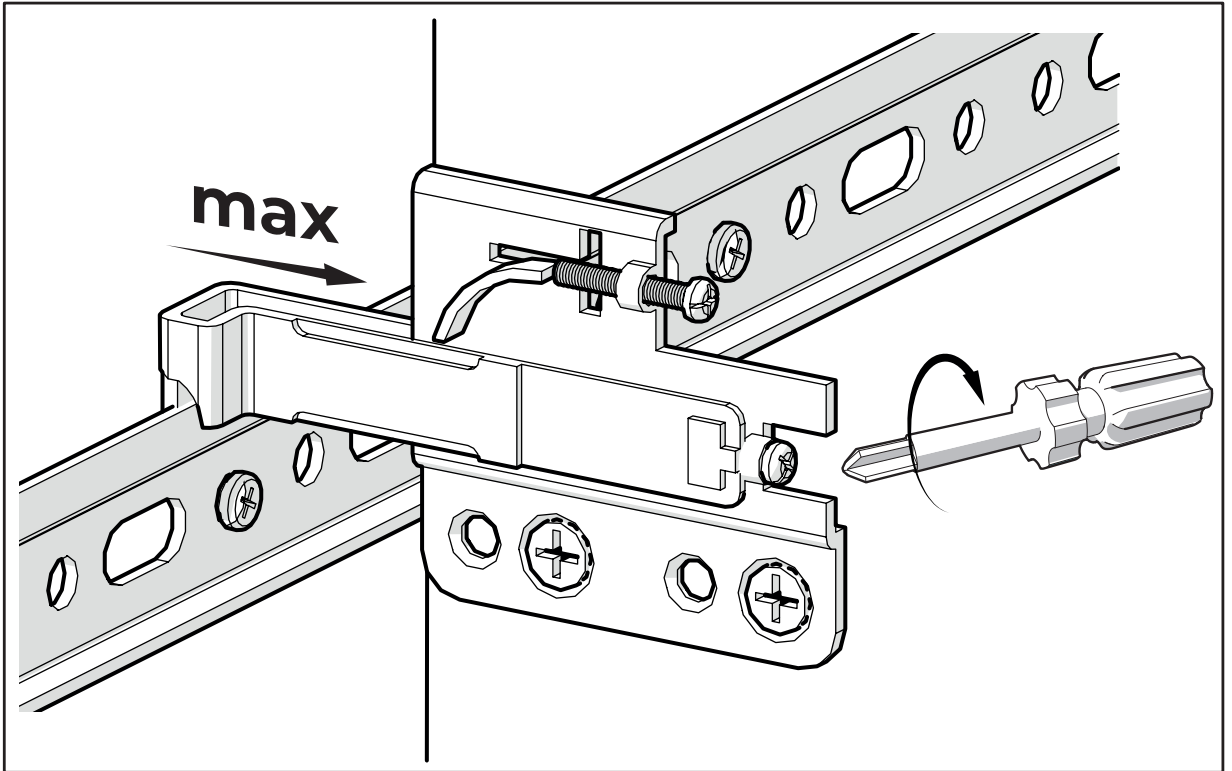
 x2

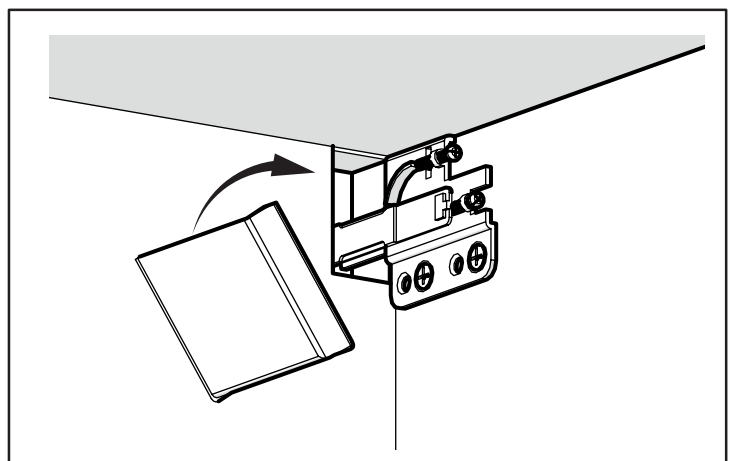
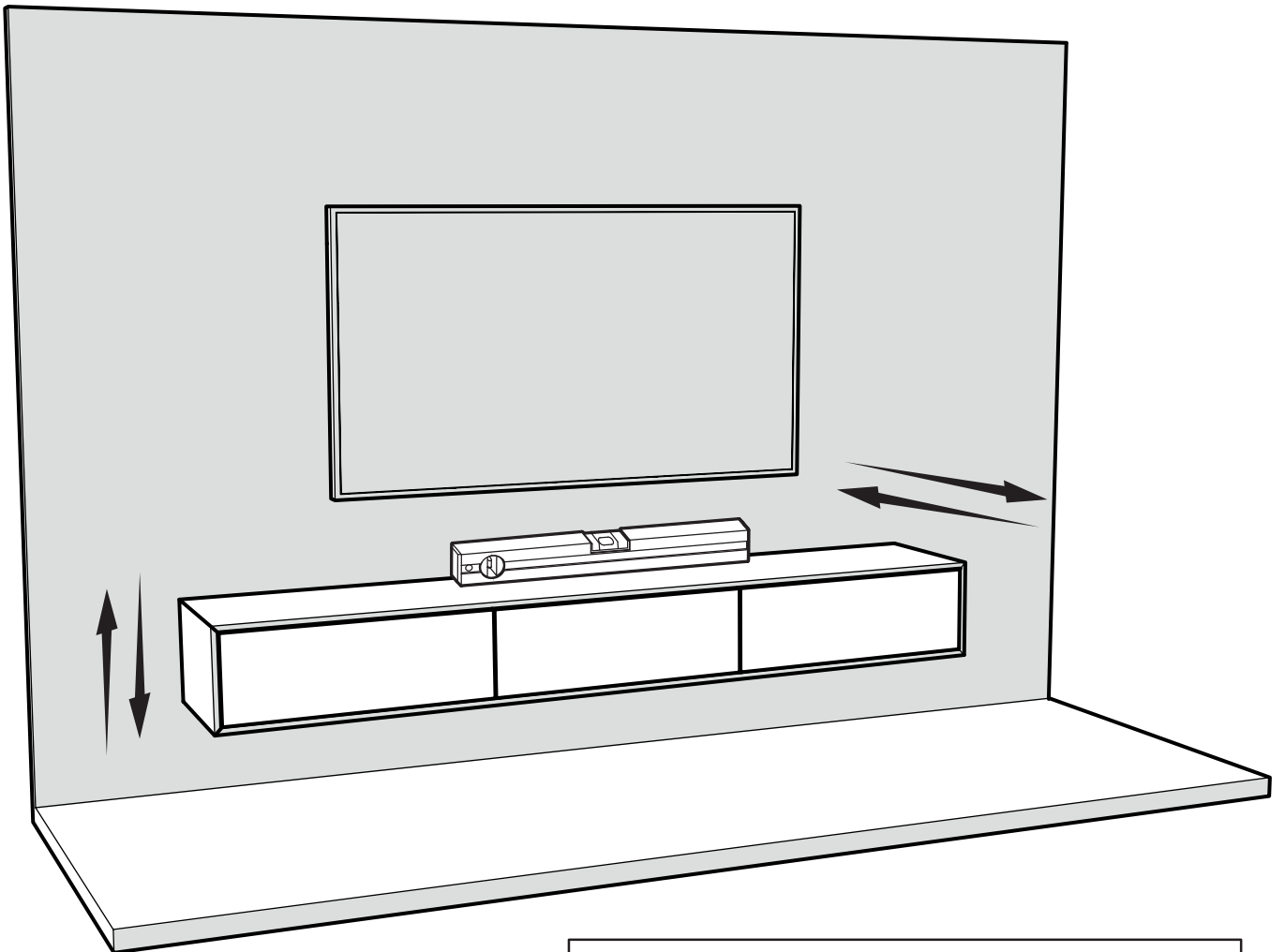
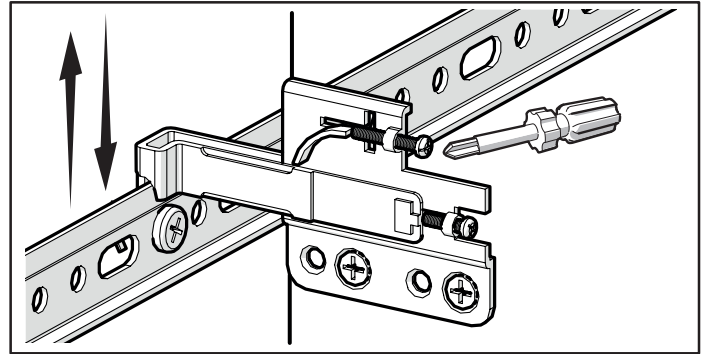
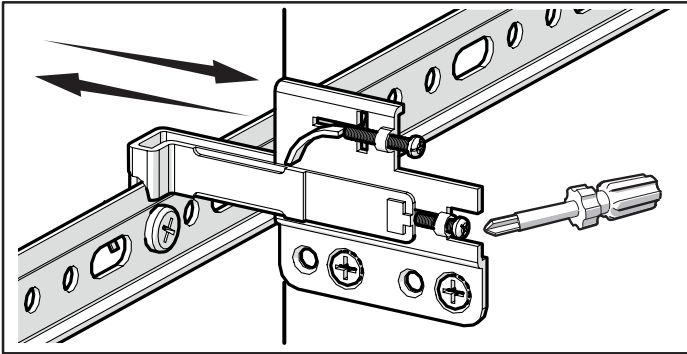


13



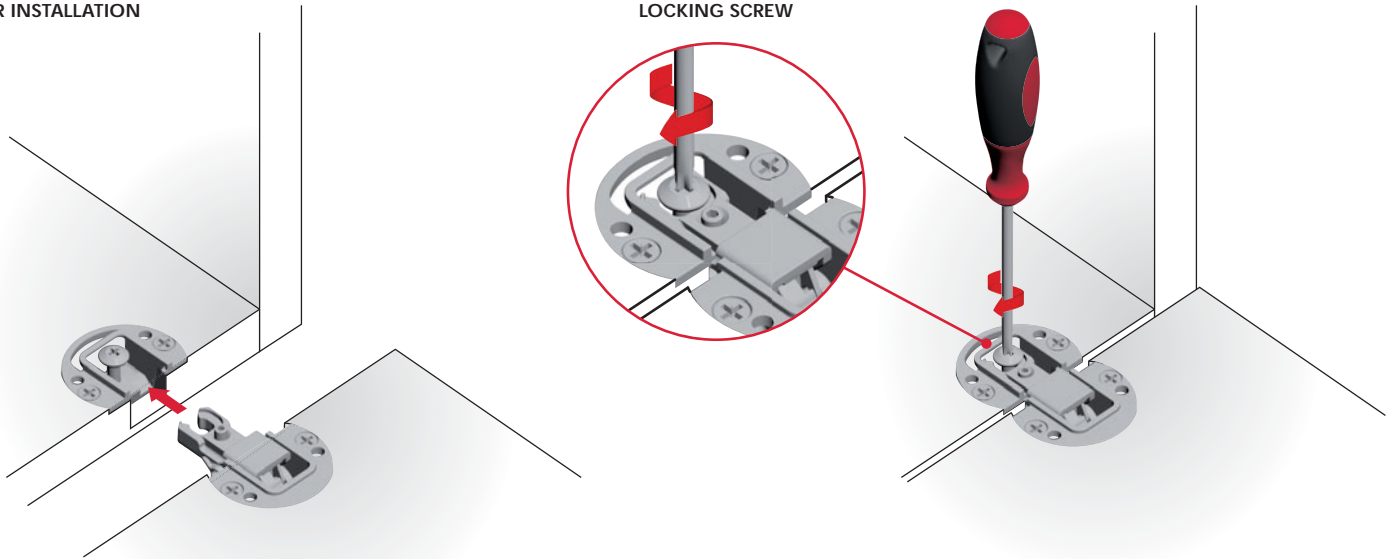
14







DOOR INSTALLATION

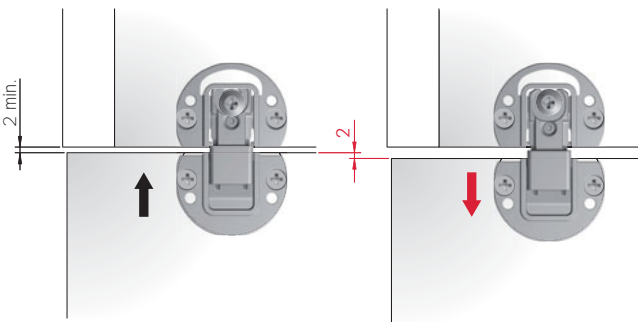


LOCKING SCREW

ADJUSTMENTS AND ASSEMBLING

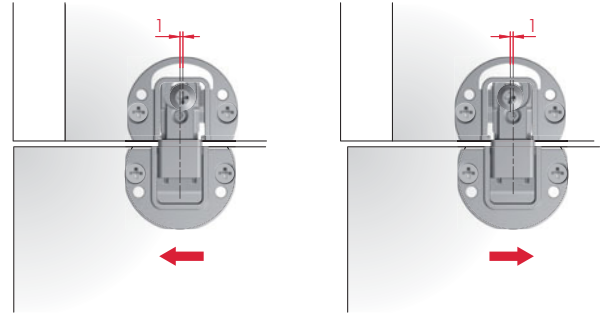
IN-DEPTH ADJUSTMENT 0+2 mm

⚠ TO BE MADE BEFORE LOCKING SCREW OPERATION ⚠

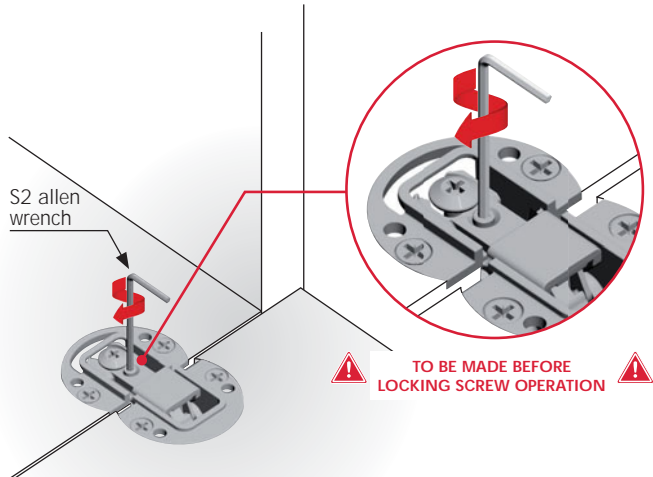


LATERAL ADJUSTMENT 0±1 mm

⚠ TO BE MADE BEFORE LOCKING SCREW OPERATION ⚠



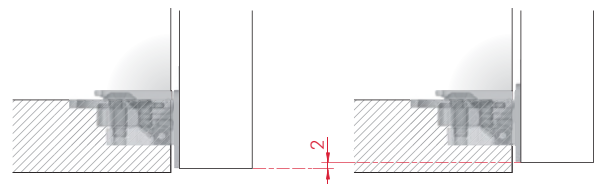
OVERLAP ADJUSTMENT



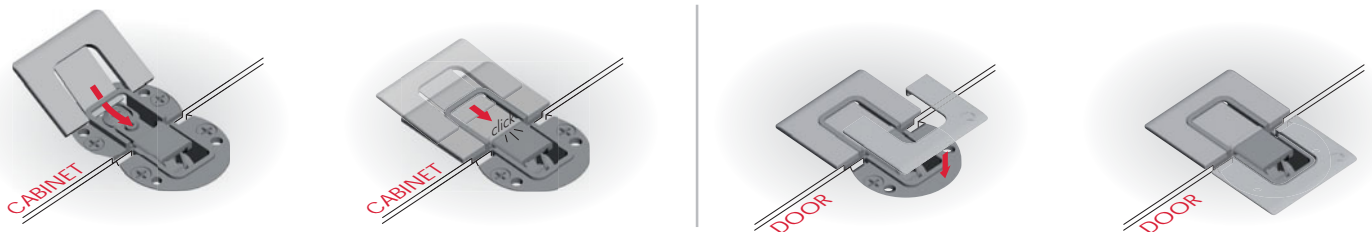
S2 allen wrench

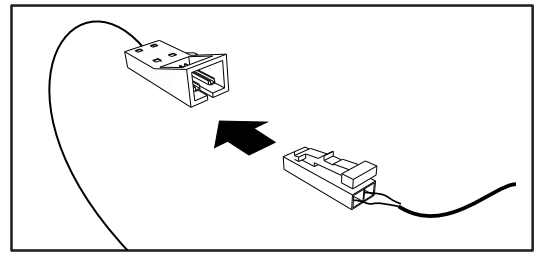
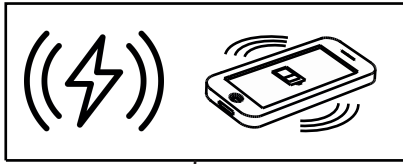
⚠ TO BE MADE BEFORE LOCKING SCREW OPERATION ⚠

+2 mm vertical adjustment

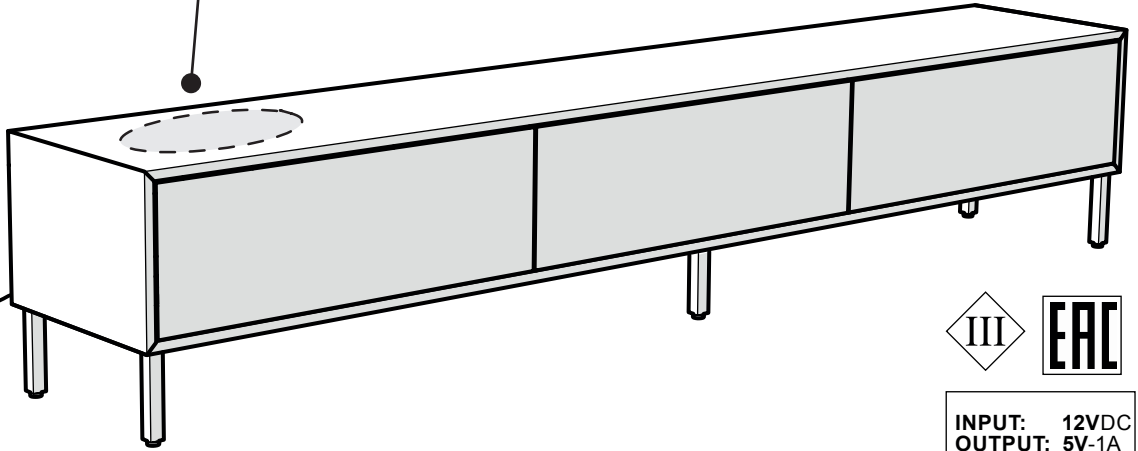
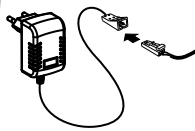


COVERS ASSEMBLING

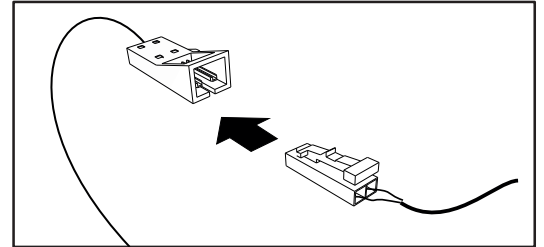




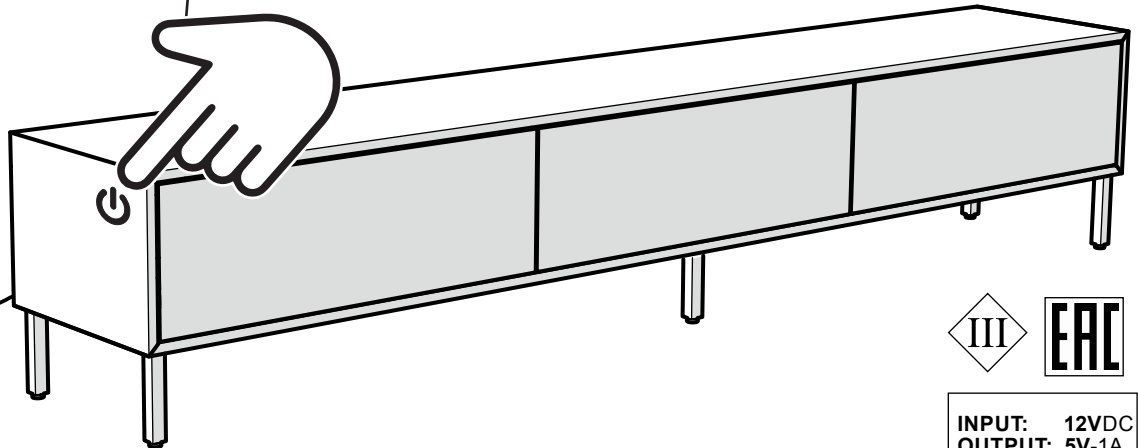
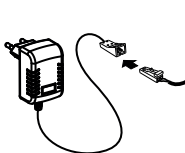
230V~50Hz



INPUT: 12VDC
OUTPUT: 5V-1A



230V~50Hz



INPUT: 12VDC
OUTPUT: 5V-1A