

RAKSA



TYPE

non-folding

FILLING

flexible stripes

SoftLayers™ system – a composition of specially selected flexible foams to ensure the best comfort
selected natural feathers of high elasticity class/
possible replacement with anti-allergic filling

BACKREST PILLOWS

selected natural feathers of high elasticity class/
possible replacement with anti-allergic filling

FRAME

metal, mat black color

SHELF

oak veneer



black oak veneer

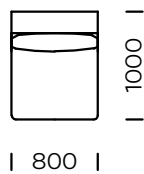
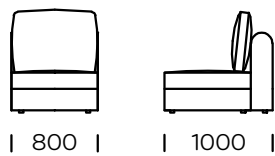


american walnut

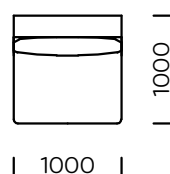
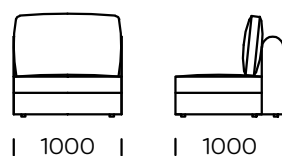


Technical information Sofa RAKSA (mm)					
1	Total high with cushion	930	6	Armrest width	200
2	Seat height	390	7	Total depth	1000/1200
3	Backrest height	685	8	Seat depth	800/1000
4	Armrest height	595	9	Seat depth with cushion	720/920
5	Sleeping area	-	10	Legs height	25

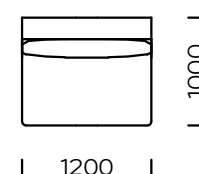
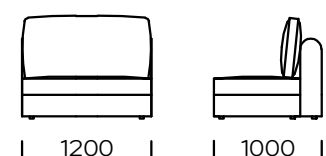
Central seat A1



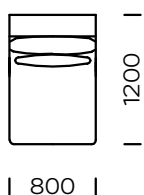
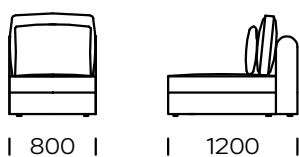
Central seat A2



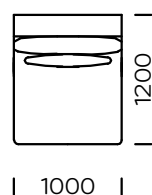
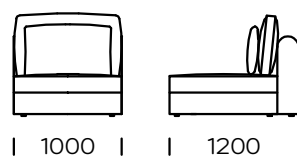
Central seat A3



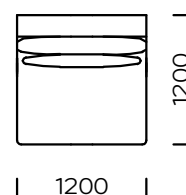
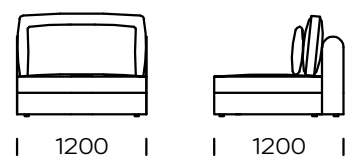
Central seat B1



Central seat B2

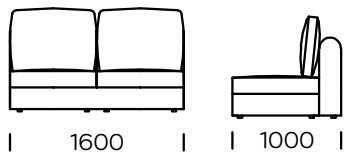


Central seat B3

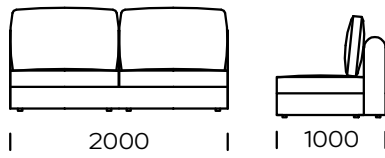


All offered elements can be order in the left and right option

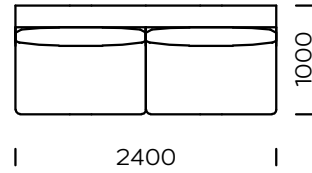
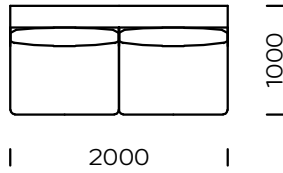
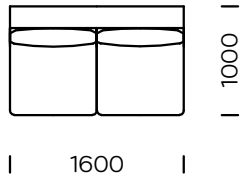
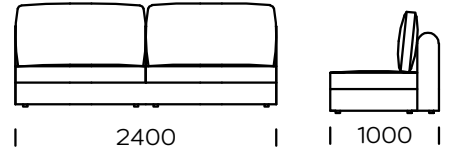
Central seat C1



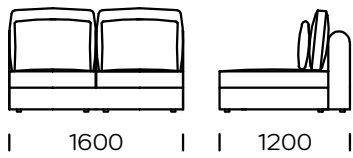
Central seat C2



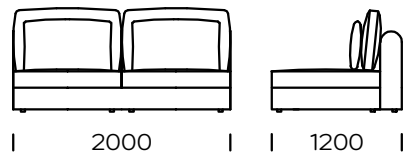
Central seat C3



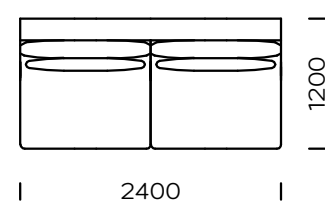
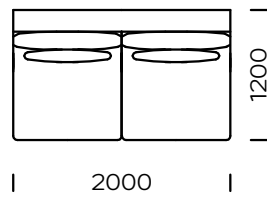
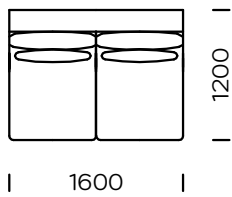
Central seat D1



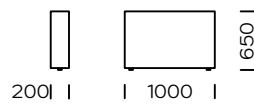
Central seat D2



Central seat D3



External armrest 1



External armrest 2



Table 1

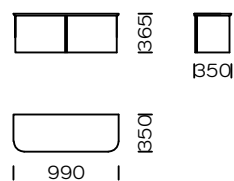
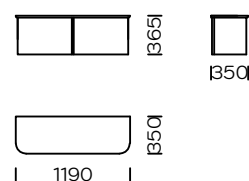
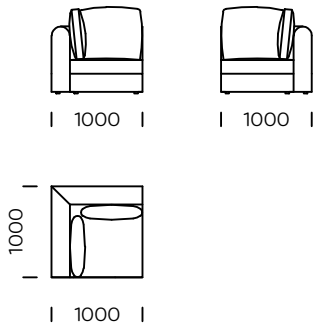


Table 2

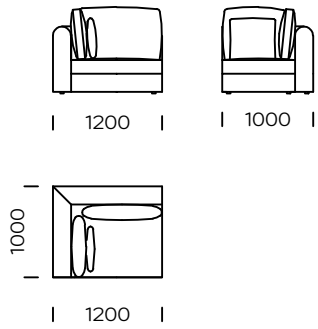


All offered elements can be order in the left and right option

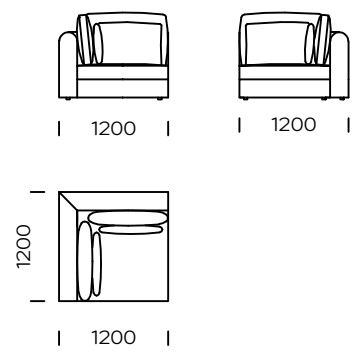
Corner seat A



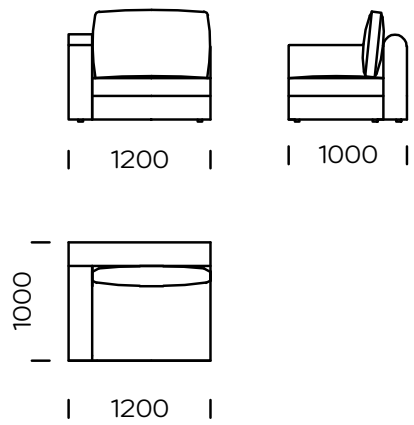
Corner seat B



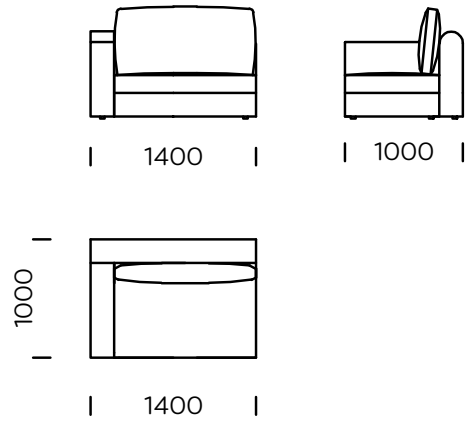
Corner seat C



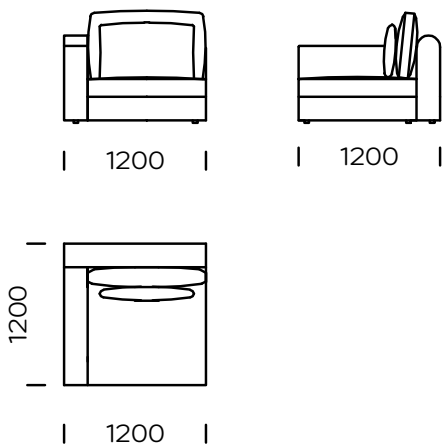
Left seat A1



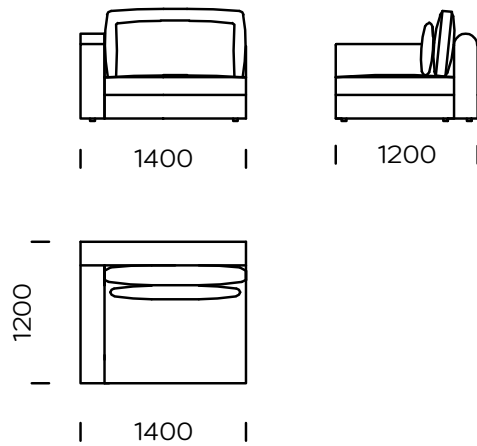
Left seat A2



Left seat B1

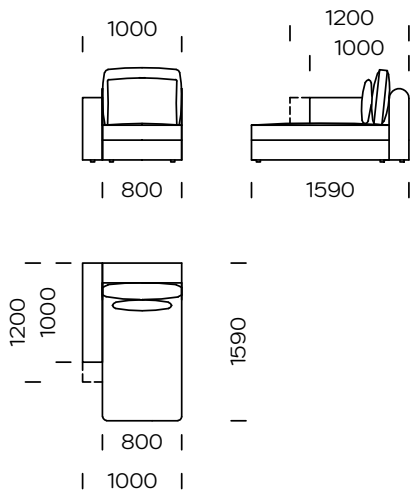


Left seat B2

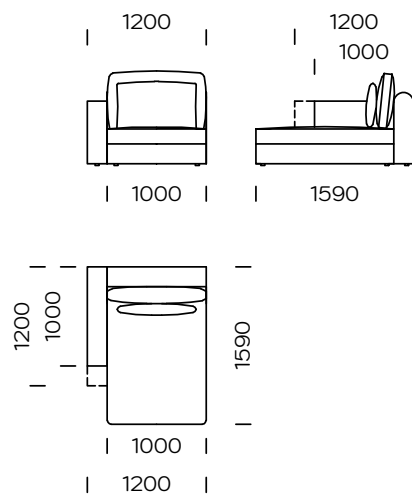


All offered elements can be order in the left and right option

Left chaise longue 1

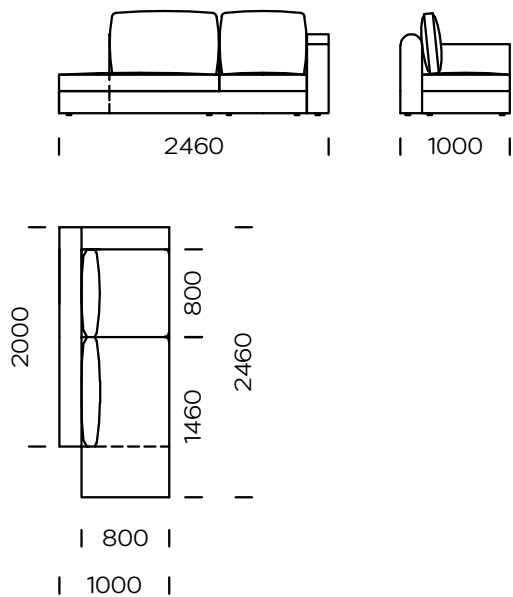


Left chaise longue 2

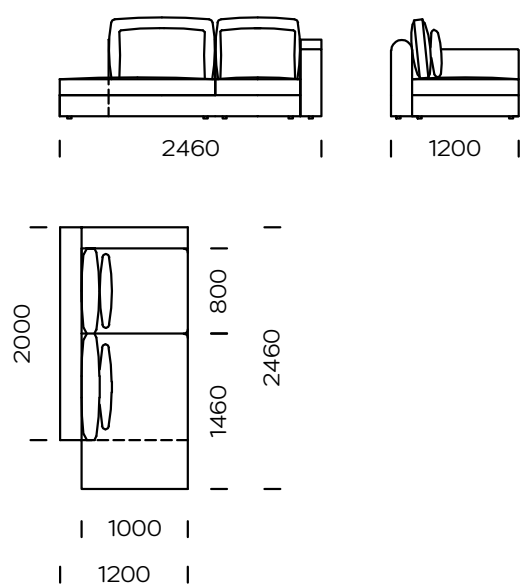


The chaise longue 1/2 is equipped with armrest A or B

Left open-end modul A1

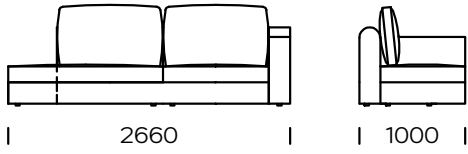


Left open-end modul A2

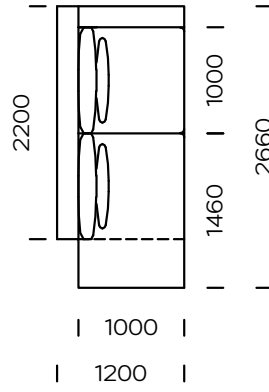
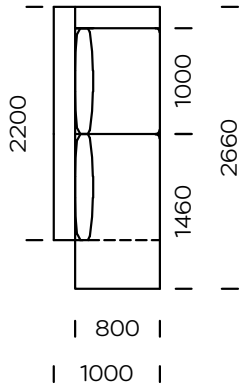
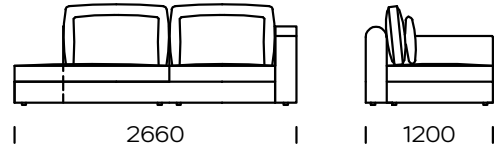


All offered elements can be order in the left and right option

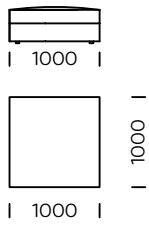
Left open-end B1



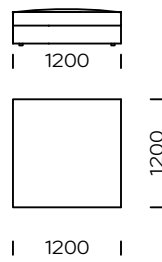
Left open-end B2



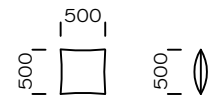
Pouf 1



Pouf 2



Cushion



All offered elements can be order in the left and right option